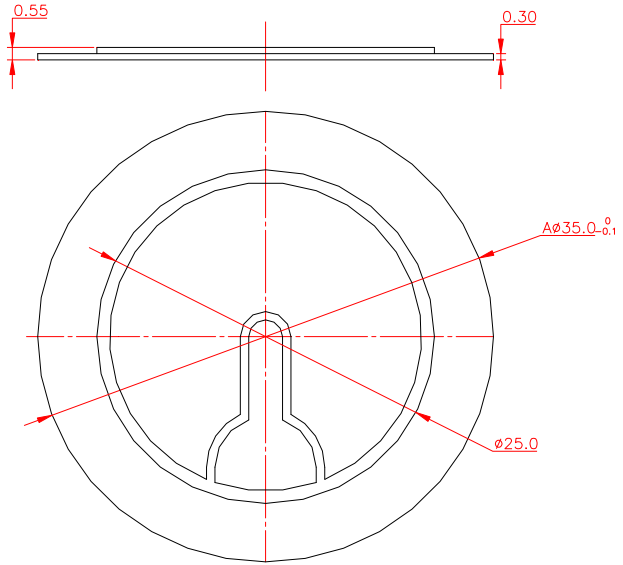


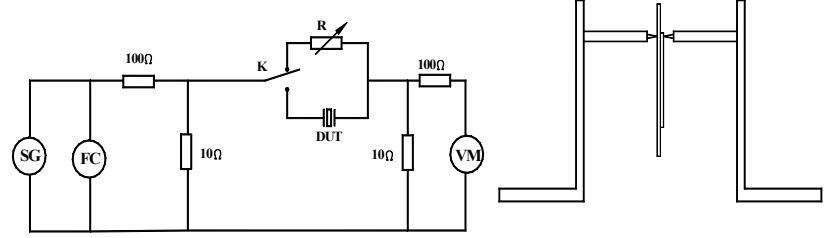
SPECIFICATIONS	
Resonant Frequency (KHz)	$3.2 \pm 0.5$ KHZ
Resonant Impedance	R: $\leq 200 \Omega$
Static Capacitance At 120Hz (pF)	$25000 \pm 30\%$
Input Voltage	Vp-p: 30 max
Operating Temperature (°C)	-20 ~ +60
Storage Temperature (°C)	-30 ~ +70
Metal Thickness	Stainless stell

REVISION HISTORY			
LTR	DESCRIPTION	DATE	APPROVED

**DIMENSION:**



**TESTING CIRCUIT AND CLAMPING METHOD**




SG: oscillator, FC: frequency meter,  
R: variable resistor, VM: voltage meter,  
DUT: piezoceramic element under test

The piezoceramic element shall be clamped at a node point as shown above to be free from any mechanical stress, and measured its resonant frequency and resonant impedance.

**NOTES:**

1. ALL DIMENSIONS ARE IN MILLIMETERS.
2. SPECIFICATIONS SUBJECT TO CHANGE OR WITHDRAWAL WITHOUT NOTICE.
3. THIS PART IS ROHS 2002/95/EC COMPLIANT.

UNLESS OTHERWISE SPECIFIED	DESIGNED BY	DATE	CHECKED BY	DATE	APPROVED BY	DATE
DIMENSIONS ARE IN MILLIMETERS	<b>SIZE A4</b>		<b>Piezo TRANSDUCER</b>		<b>FT-35G-3.2B1-25C</b>	
TOLERANCES ARE $\pm 0.5$ AND ANGLES ARE $\pm 3^\circ$			<b>Changzhou Shenghui Electronic Co.,Ltd</b> Tel:+86 519 85118108 Fax:+86 519 85108596 sales@shenghui.com http://www.shenghui.com			